



Why should you Choose MTF Homes for your project?

Our team, with over 20 years of experience in the timber frame industry, MTF Homes can provide a cost effective and comprehensive timber frame packages to self-builders, contractors and developers. We believe our high standard products and service will make us the perfect partner for you and your project.

Our Guarantee

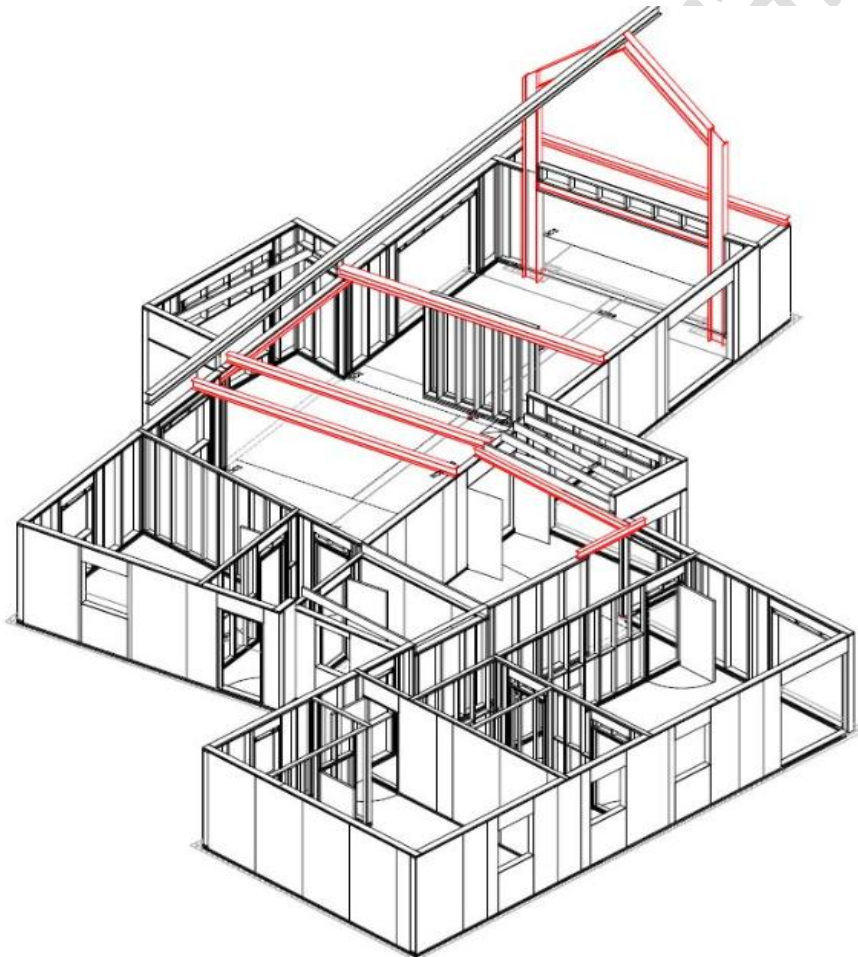
We guarantee that all our work will be to the highest level and leave you with a high-quality build when we are finished. Our staff will help in anyway that they can and even offer support after we have finished our part of the build.

All this giving you the piece of mind that your build is in good hands and that you are getting a top of the range service from us here at MTF Homes.

What happens after we agree to go ahead?

Our structural engineers and Timber Frame Designer will begin their part of the project and get all calculations done to make sure your build is 100% built to the most up to date building regulations.

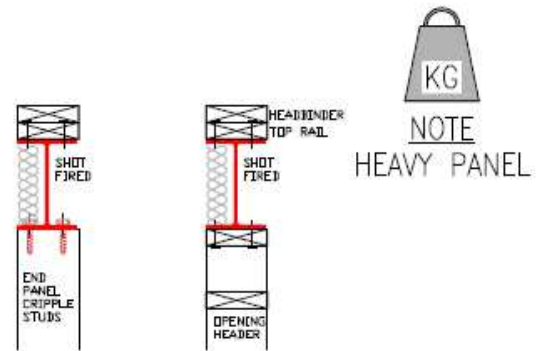
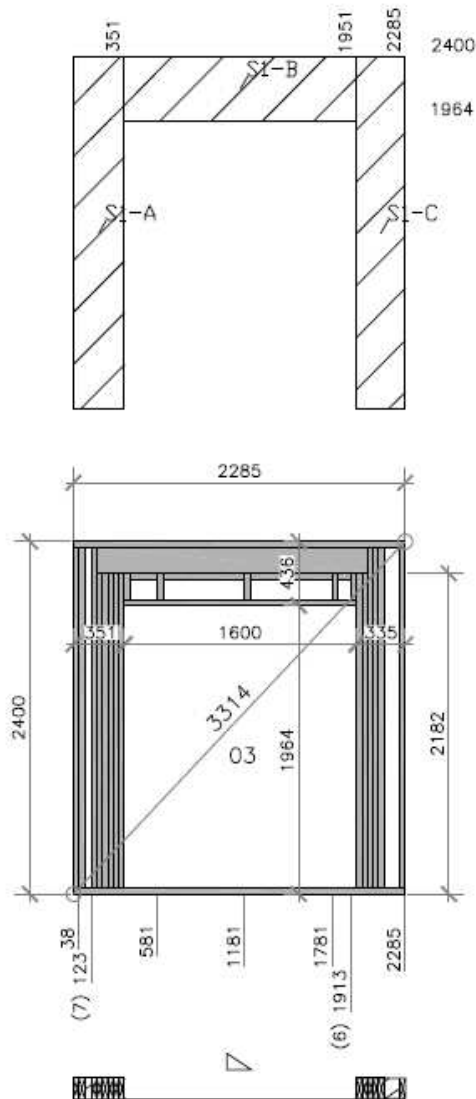
Below is a sample setting out diagram that we have our Timber Frame Designer draw up:



As you can see the detail is incredible thus making our panels designed to the highest accuracy.

This diagram also helps with the erection of the Kit and points out in **RED** any steel that is required for the project.

At the next stage we get our individual panel drawings across which allows our Factory to begin production: Sample below



LINTEL SECTION DETAIL

NOTE: OPENING NOGGIN SHOT FIRED TO STEEL, PRE INSULATE BEHIND STEEL AND OSB (THERMAL BRIDGE)



The timber structure is engineered and manufactured under strictly controlled factory conditions, allowing great precision to be achieved for every panel and structural member of the house. Timber Frame construction guarantees that each corner is a perfect right angle and each wall is perfectly straight. Consequently, skirting's fit tighter to walls, door frames fit properly, and there is never an unsightly 'ripple' to be seen along the length of a wall.

Once the panels have been manufactured and safely delivered to the site, we will begin the erection process.



Modern Timber Frame

Once the Kits have been erected and the Roof Structure has been Felt and Lathed. We will have our structural engineers call out to the site and inspect the build and issue a cert to show that the build is totally compliant with all building regulations.

Site Visits:



**SITE
VISIT**

If our quote is of interest to you, then depending on where you are based – We may be able to organise a visit to a nearby project we have already completed so that you can see first-hand the high quality that we do.

What our Timber Frame Package Includes:

- All External & Internal Walls
- All Floor Structures
- Roof Structure
- Felt & Lathing of Roof Structure
- All Wall ties and collars

Extras we can offer:

- Insulation to External Walls & Roof
- Acoustic Insulation (Supply Only)
- Roof Coverings
- Airtightness around windows, doors and roof



How to get in touch with us here at MTF Homes:

- **Phone:** 074 9113586
- **Mobile:** 087 4045196
- **Email:** info@moderntimberframe.ie
- **Facebook:**
<https://www.facebook.com/moderntimberframe/>
- **Website:** Request a quote function on our homepage or our live chat icon located in the right-hand bottom corner of the page



**Get in touch
now!**